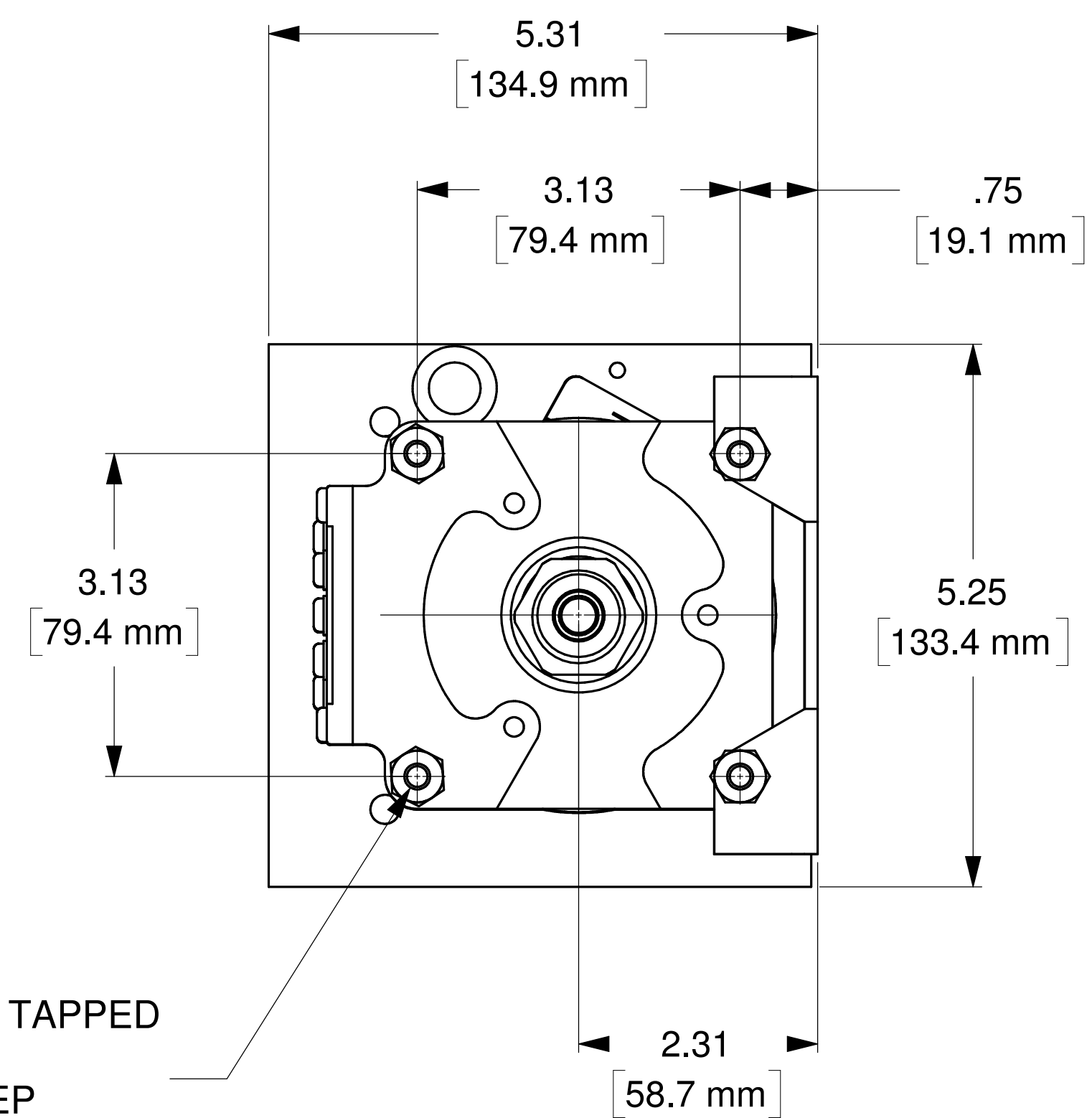


SLOTS IN BRACKETS
.25 [6mm]
MOUNTING BOLTS



4 - STANDOFFS TAPPED
.25 -28 UNF
.38 [9.7 mm] DEEP
FOR MOUNTING BOLTS



| | | | | | |
|--|-----------|----------------------|-----------------------------------|-----------|--|
| A | 96003 | ISSUE FOR RELEASE | JR | 01/11/06 | TCG |
| DWG REV | EC NUMBER | REVISION DESCRIPTION | DATE | APP'D | |
| PART REV AND DWG REV ARE CONTROLLED INDEPENDENTLY | | | | | |
| UNLESS OTHERWISE SPECIFIED DIMENSIONS ARE IN INCHES TOLERANCE ON | | | TITLE | | |
| DECIMALS XX = ± .02 XXX = ± .005 | | ANGLES ± 1° | ME21-2 & ME22-2 SERIES OUTLINE | | Superior Electric <small>383 MIDDLE STREET BRISTOL, CT 06010</small> SIZE D 228942 |
| MATERIAL | | | | | |
| DRAWN | JR | DATE | 01/11/06 | CAT. CODE | 001491 |
| APP'D | TCG | DATE | 01/12/06 | FSCM NO. | 58474 |
| | | | | SCALE | 3/4 |
| | | | | SHEET | 2 OF 3 |