

7030 Series Pneumatic General Purpose Counter

Although its rugged diecast enclosure design appears similar to our general purpose electrical- and mechanical-drive totalizers, the 7030 Series is unique because it counts pneumatic impulses. It is ideal where safety or environmental constraints make it difficult to use other counters – or where it's just more convenient to obtain an air pressure signal, than to supply a voltage source or mechanical linkage.

The 7030 Series is rated for speeds to 1000 counts per minute (dependent on air pressure), and engineered to deliver a long service life. It is easy to install, by base mount attachment to machine frames, or many other surfaces.



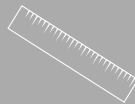
- Sturdy, industrial duty construction
- 6 figures – counts to 999999 with rollover to zero
- High contrast white-on-black numerals
- Requires no electricity or mechanical coupling
- Operates reliably from air sources of 40 to 150 psi
- Smooth acting rotary reset mechanism
- Pneumatic drive protected by internal exhaust filter
- Count speed to 1000 counts per minute
- Long service life
- Popular, general purpose base mount configuration



TIME



COUNT



MEASURE

8:43

DISPLAY

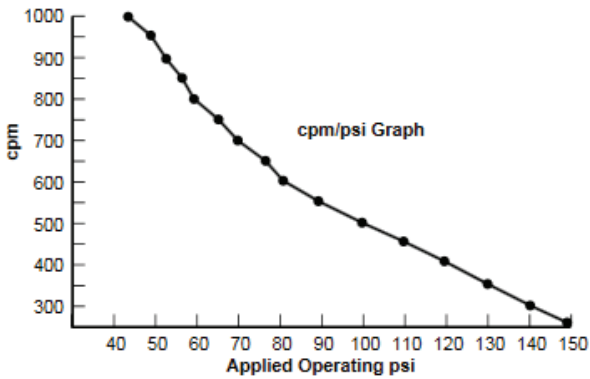
1259, 1260, 1261, 1262 Series General Purpose Counter

ESVR 09082016

SPECIFICATIONS

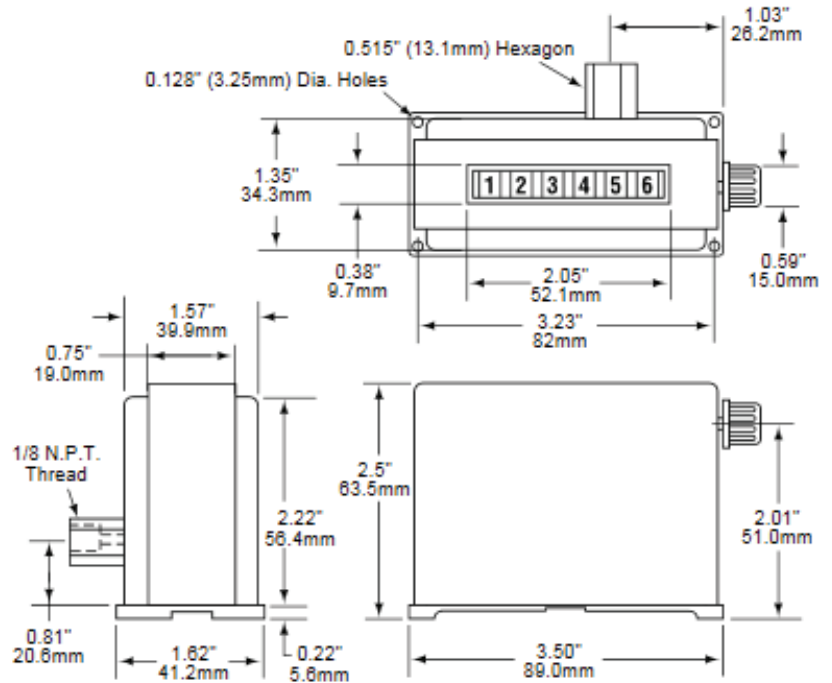
SPEED	250 to 1000 cpm depending on applied operating air pressure; see Speed/Operating Pressure below
NUMBER OF FIGURES	6
SIZE OF FIGURES	0.188" (4.78mm) high
COLOR OF FIGURES	White on black
RESET	Manual knob
MOUNTING	Base
OPERATING TEMPERATURE	0° to +131°F (-18° to +55°C)
CONSTRUCTION	Case: Zamak Wheels and Pinions: Acetal resin Connection Fitting: Brass
WEIGHT	1 lb. (0.454 kg)

Speed vs. Pressure



NOTE: Pressure valve must be within 6" of the counter input to prevent the rated speed/pressure from being affected. Speed or cpm rating at a given psi is based on a 50% duty cycle. When counting at a frequency or speed less than the rated cpm at a given psi, the on-off ratio must not be less than 50%.

DIMENSIONS



ORDERING INFORMATION

Standard Models

703006-003 Pneumatic General Purpose, Base Mount, Knob Reset

Special variations may be available. Please consult factory.